

## Product Data

### APPLICATIONS

Symmetrical roof/wall panel used on slopes down to 1/2:12. (1/4:12 slope considered with prior approval) Continuous length up to 200'. Tapered panels and convex curving available - 24ft radius minimum.

### SUBSTRATES

Bar Joist, Open Purlin, Plywood, Metal Deck, Re-Roof over existing Modified, Built-up, Single-ply or Metal.

### MATERIAL

Standard - 24 GA. ASTM A792 (50 ksi)  
Optional - 22 GA. ASTM A792 (50 ksi)

### MANUFACTURING

Roll formed in factory or at jobsite. Curved at jobsite. (24" panels formed on-site only)

### FINISHES

Acrylic Coated Galvalume  
Fluoropolymer (Kynar 500 PVDF resin-based)

### PAN CONDITIONS

Plank & Pencil Rib, Plank, Striated, Minor Ribs and Flat (Oil canning is inherent in all metal panels and is not cause for panel rejection. A signed oil canning acknowledgement will be required for all orders prior to production.)

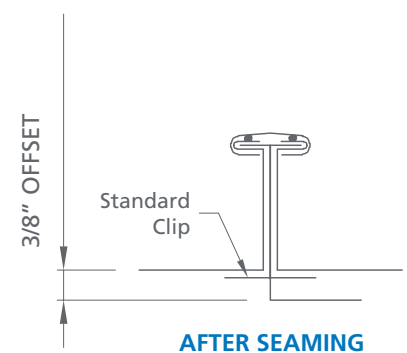
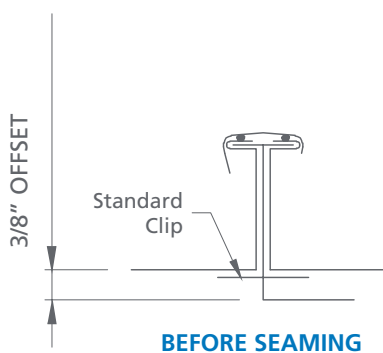
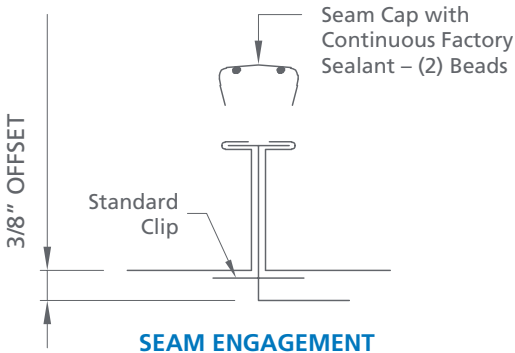
### TESTING/AGENCY APPROVALS\*

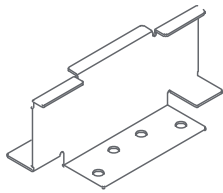
Uplift: FM 4471 Class 1-75, Class 1-195  
UL 580 Class 90  
ASTM E1592

Static Water: FM 4471 Appendix G, ASTM E2140  
Air & Water Infiltration: ASTM E1680, ASTM E1646  
Impact Resistance: UL Class 4, FM Class 1-SH  
Fire Rating: UL Class A  
Texas Windstorm: RC-270  
Florida Building Code: 16606.1, 16606.2, 16606.3  
Miami Dade: NOA# 20-1215.09

\*Testing and Approvals are product specific. Inquire for details.\*

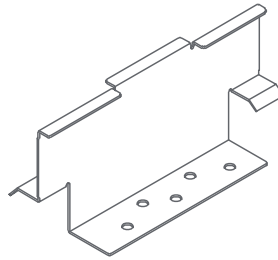
**NOTE:** All data represented on this sheet may not be applicable to all widths and gauges. Contact ExSteel for more information.





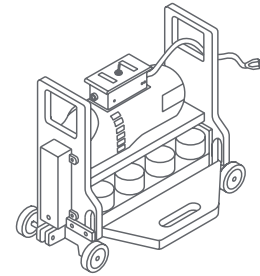
**STANDARD CLIP**  
16 GA.

Standard: Galvanized G90 - ASTM A653 (50 ksi)  
Optional: Stainless 304SS - ASTM A240 (50 ksi)

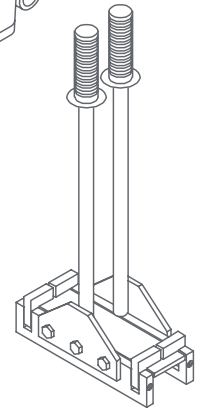


**RETROFIT CLIP**  
16 GA.

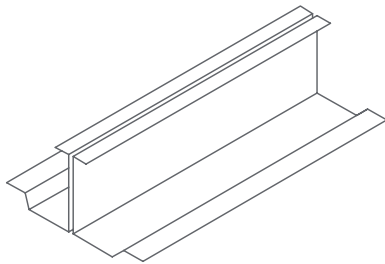
Standard: Galvanized G90 - ASTM A653 (50 ksi)  
Optional: Stainless 304SS - ASTM A240 (50 ksi)



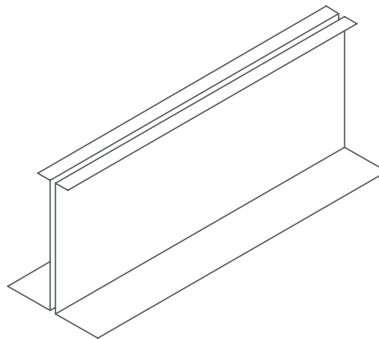
**MECHANICAL SEAMER**



**HAND SEAMER**

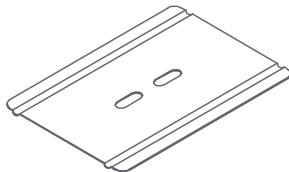


**MULTI-SPAN CLIP** 2-Piece  
Standard: 24 GA. - ASTM A792 (50 ksi)  
Optional: 22 GA. - ASTM A792 (50 ksi)  
*\*Typically sold in 10' lengths\**

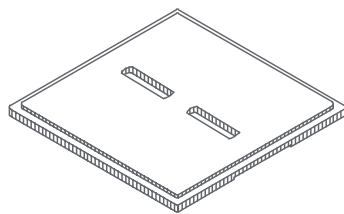


**TALL MULTI-SPAN CLIP** 2-Piece  
Standard: 24 GA. - ASTM A792 (50 ksi)  
Optional: 22 GA. - ASTM A792 (50 ksi)  
*\*Typically sold in 10' lengths\**

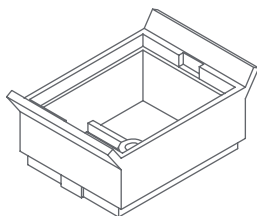
**NOTE:** All data represented on this sheet may not be applicable to all widths and gauges. Contact ExSteel for more information.



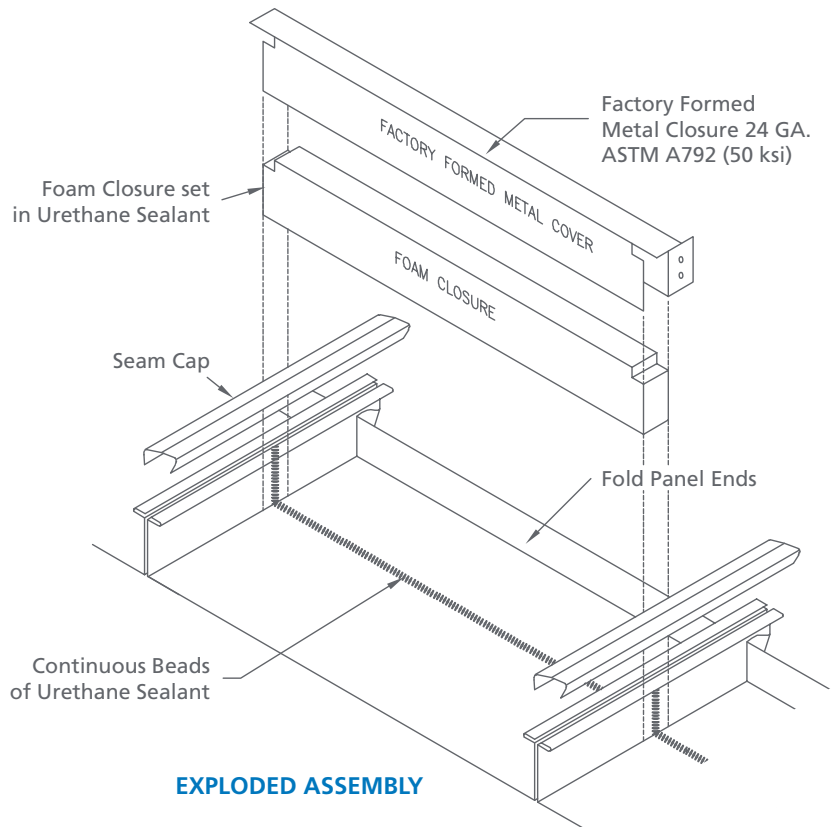
**BEARING PLATE**  
24 GA. - ASTM A792 (50 ksi)



**STACKABLE LEVELING SHIM**  
6" x 6" x 1/4" Thick



**1 3/8" PEDESTAL**  
*\*For use with Multi-Span Clip Only\**  
20% Glass-Filled Polycarbonate Black



**EXPLODED ASSEMBLY**