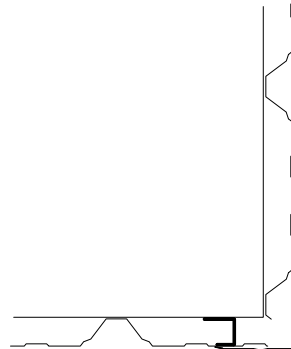
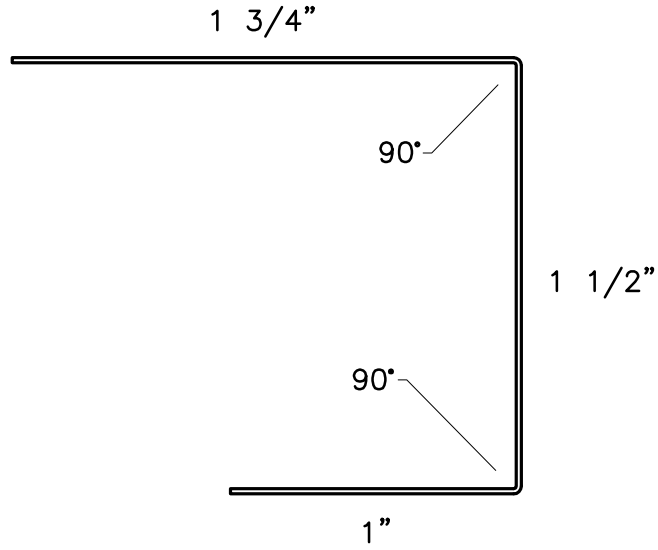



'COLOUR SIDE'



GIRTH: 4 1/4"

GAUGE	WEIGHT
29	0.22#/FT.
28	0.25#/FT.
26	0.29#/FT.
24	0.37#/FT.

		7825 Springwater Road Aylmer, Ontario N5H 2R4 519 - 765 - 2244 www.exsteel.com	
DATE:	JAN 24/1990	DRAWN:	BVERN
DATE:		CHECKED:	
DATE:		PROG:	
DATE:		ISSUED:	
DESCRIPTION:			
'J' PACKER - 1 1/2" - C.O.S.			
DRAWING #			M07

REV	DESCRIPTION	DATE	BY
1	GENERAL DETAIL REVIEW	JAN 01/09	BJD